

# WELDTRON 2000

## Backdraft Welding Workstation



### A Self-Contained Workstation Specifically Configured for Welding Labs

#### Maximizing Floor Space with Complete Flexibility

The Weldtron has a small footprint with the compact filtration module stacked above the table; filter access is at the front, and the clean filtered air discharges upward. The smooth sides and back allow multiple units to be placed together (side-by-side and back-to-back) for maximum space economy.

#### Easy to Use, Easy to Maintain

Delivered completely assembled, the Filter 1 Weldtron 2000 requires no ducting or installation. Place wherever desired in the lab, add a welding machine, connect power, and you are ready to weld. The standard panel filters are easily accessed and the pressure gauge indicates when filters need to be replaced.

#### Outstanding Energy Efficiency

The Weldtron provides an exceptional 2000 CFM @ 1 HP. The operating airflow rate is only 25% of the airflow capacity of the panel filters; this results in a low pressure drop, high dust holding capacity, and a greatly reduced operating cost per pound of dust collected.

### Designed with the Student in Mind

#### Personal Work Space

Individual work cell is isolated from adjacent workstations and provides a generous work surface of 12 square feet (36"D x 48" W). The complete enclosure provides flash protection, sheltering the welder's eyes from arc strikes and sparks of welding operations on either side. Each workstation also has integral fluorescent lighting and electrical outlets.

#### Ergonomics

Table surface is adjustable from 28" to 36" high to accommodate to the height of various students and the dimensions of the parts being welded.

#### Noise Control

With its accoustical liner in the blower compartment, the Weldtron features a low sound level of 72/73 dBA, facilitating optimal communication and working conditions in the lab.

#### Built-In Safety

The work surface of the Weldtron is rubber-mounted for insulating against any extraneous welding currents and protecting against damage to the unit. The table also includes a grounding lug for the welder.

*Guaranteed to meet or exceed OSHA requirements.*

1-800-289-0189

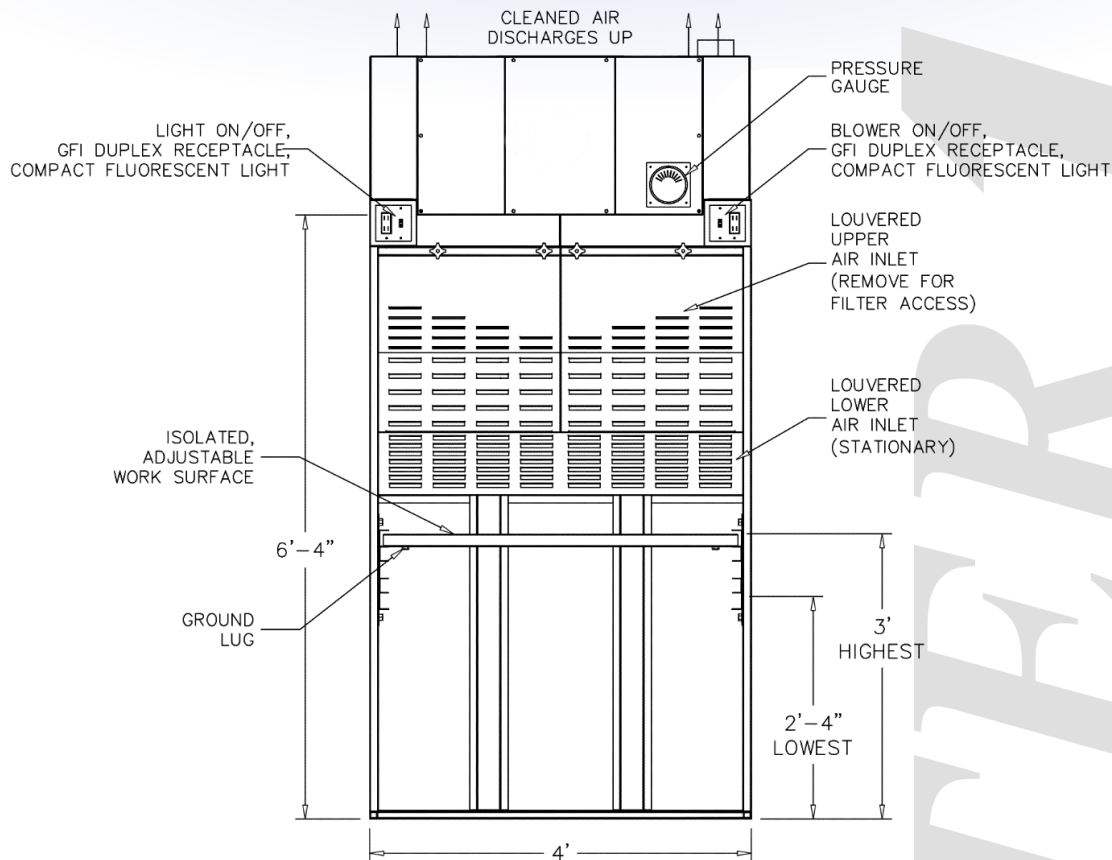
Institutional Welding Station

# FILTER 1

ENGINEERED SOLUTIONS FOR INDUSTRIAL NEEDS

# WELDTRON 2000

## Ultimate Solution for Welding Training



### Specifications

- **Air Flow (CFM)** ..... 2000
- **Motor** ..... 1 HP, 1750 rpm TEFC w/ Overload Protection
- **Electrical** ..... 110/1/60v 11.4 amps, (2) GFI Duplex Receptacles
- **On/Off Switch** ..... Included
- **Standard Filters** ..... Spark-resistant 24"x24"x2" MERV 13 Disposable Panel Filters  
(Three filters in series) 18 sq. ft. filter media, each; qty: 12: 216 sq. ft. total
- **Pressure Gauge** ..... (Indicates need for filter replacement) Included
- **Noise Level (dBA)** ..... 72/73
- **Blower** ..... Direct drive, dynamically balanced, backward inclined
- **Construction** ..... Welded, heavy-gauge carbon steel  
w/ industrial acrylic enamel paint throughout
- **Work Surface** ..... 3'Dx4'W, 12 ga. carbon steel  
Isolated from cabinet w/ 4 rubber grommets  
Adjustable from 28" to 36" height
- **Lighting** ..... (2) High-efficiency, 26 watt compact flourescents  
Producing 100 watt equivalent, each

*Filter 1 has a policy of continuous design improvement and reserves the right to update designs and specifications without notice.*

# FILTER 1

2525 National Dr.  
Garland, TX 75041  
972-278-2664  
info@filter-1.com

WWW.FILTER-1.COM